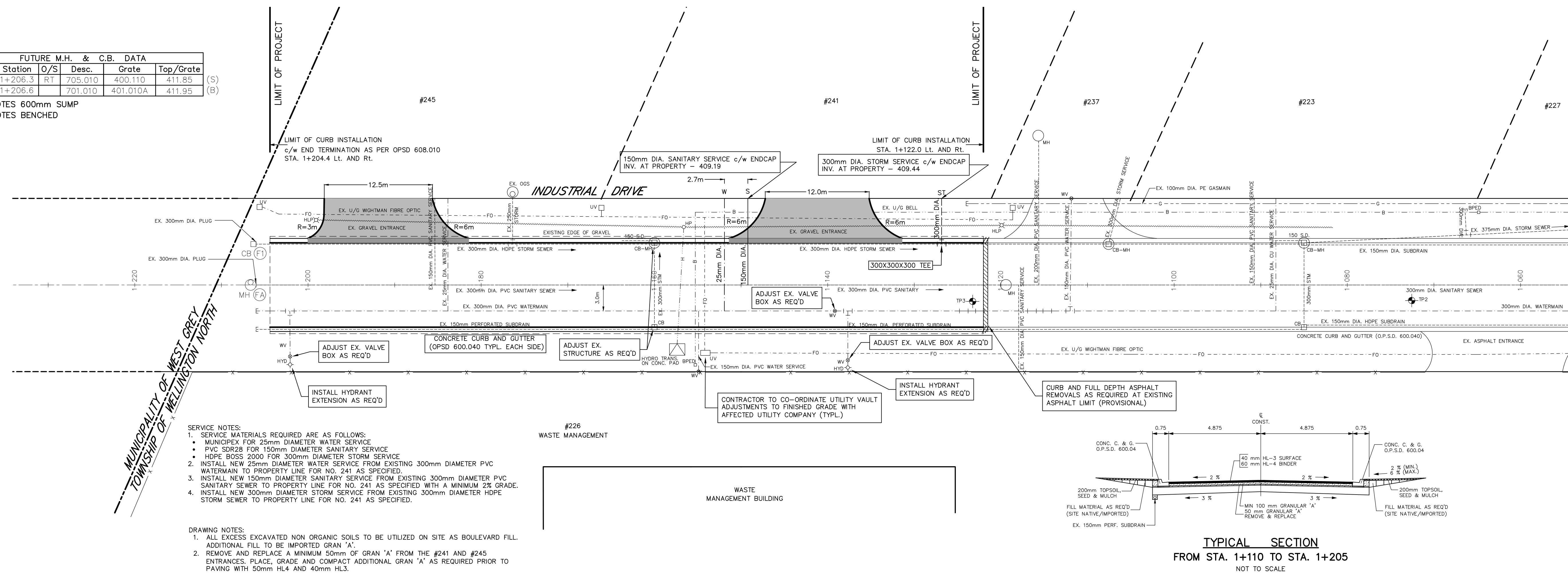


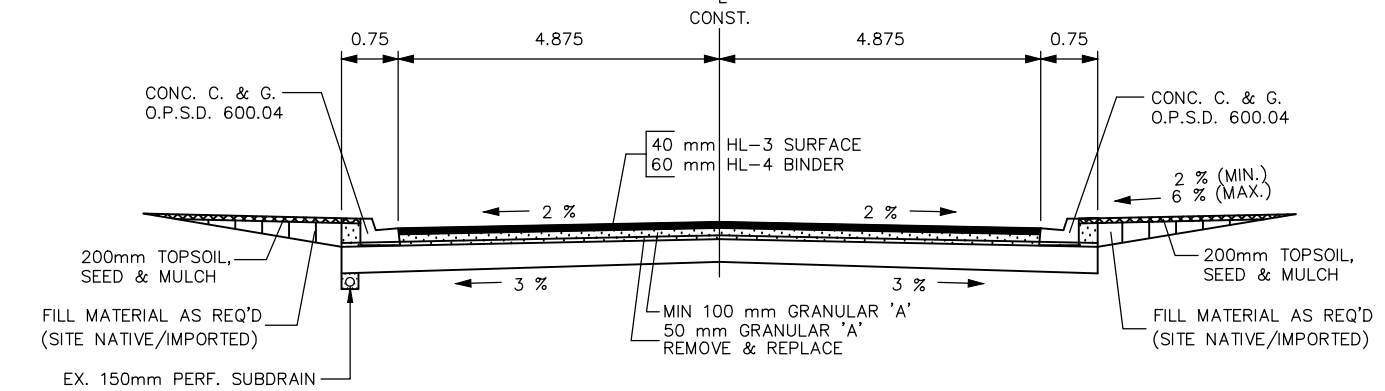
FUTURE M.H. & C.B. DATA				
No	Station	O/S	Desc.	Top/Grate
CB F1	1+206.3	RT	705.010	411.85
MH FA	1+206.6		701.010	411.95

(S) DENOTES 600mm SUMP
(B) DENOTES BENCHED

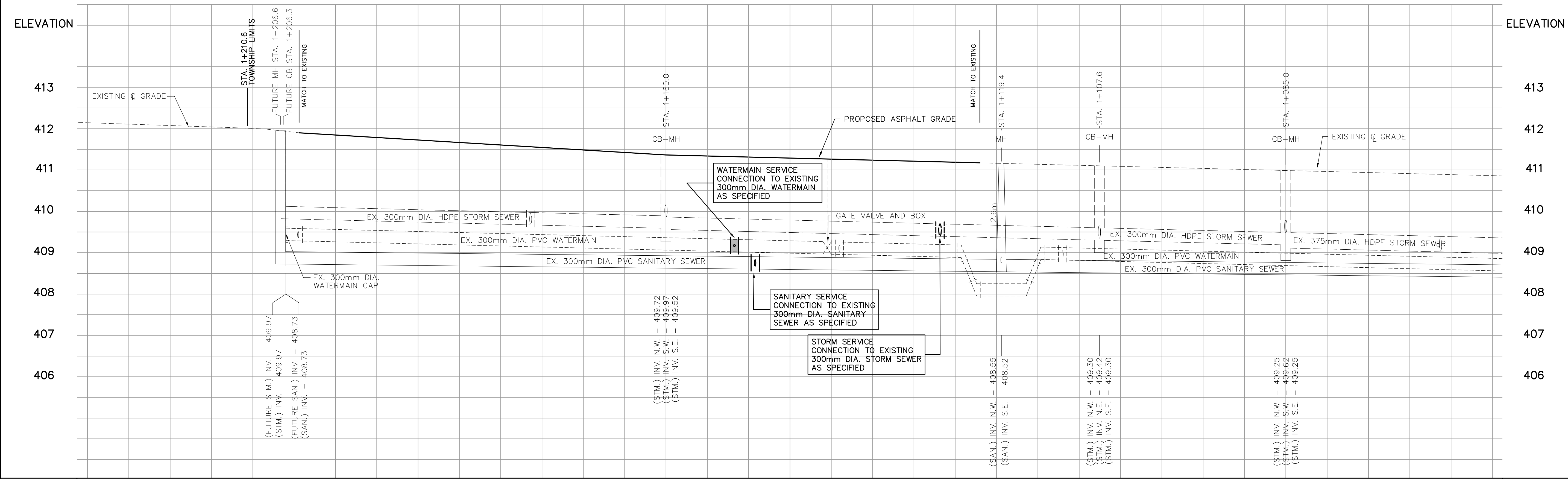


- SERVICE NOTES:**
- SERVICE MATERIALS REQUIRED ARE AS FOLLOWS:
 - MUNICIPALITY OF WEST GREY TOWNSHIP OF WELLINGTON NORTH
 - MUNICIPEX FOR 25mm DIAMETER WATER SERVICE
 - PVC SDR28 FOR 150mm DIAMETER SANITARY SERVICE
 - HDPE BOSS 2000 FOR 300mm DIAMETER STORM SERVICE
 - INSTALL NEW 25mm DIAMETER WATER SERVICE FROM EXISTING 300mm DIAMETER PVC WATERMAIN TO PROPERTY LINE FOR NO. 241 AS SPECIFIED.
 - INSTALL NEW 150mm DIAMETER SANITARY SERVICE FROM EXISTING 300mm DIAMETER PVC SANITARY SEWER TO PROPERTY LINE FOR NO. 241 AS SPECIFIED WITH A MINIMUM 2% GRADE.
 - INSTALL NEW 300mm DIAMETER STORM SERVICE FROM EXISTING 300mm DIAMETER HDPE STORM SEWER TO PROPERTY LINE FOR NO. 241 AS SPECIFIED.

- DRAWING NOTES:**
- ALL EXCESS EXCAVATED NON ORGANIC SOILS TO BE UTILIZED ON SITE AS BOULEVARD FILL. ADDITIONAL FILL TO BE IMPORTED GRAN 'A'.
 - REMOVE AND REPLACE A MINIMUM 50mm OF GRAN 'A' FROM THE #241 AND #245 ENTRANCES. PLACE, GRADE AND COMPACT ADDITIONAL GRAN 'A' AS REQUIRED PRIOR TO PAVING WITH 50mm HL4 AND 40mm HL3.



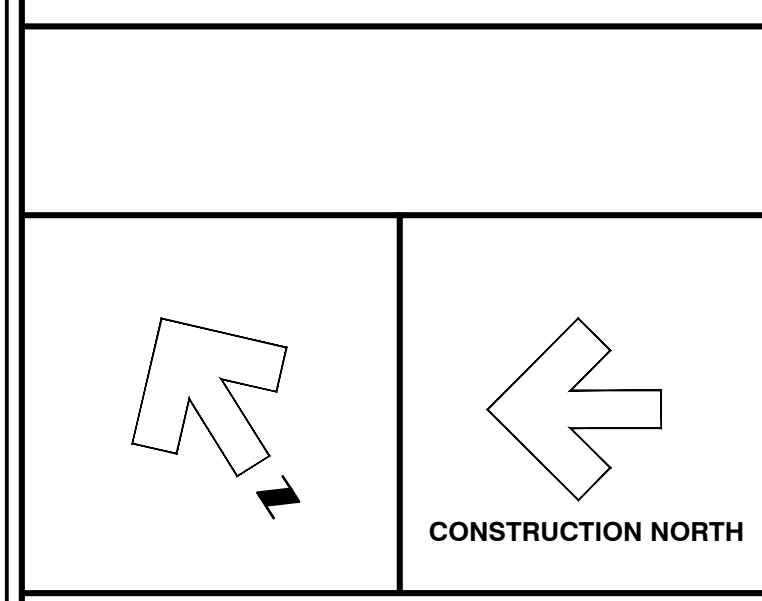
TYPICAL SECTION
FROM STA. 1+110 TO STA. 1+205
NOT TO SCALE



FINISHED ASPHALT GRADE	STATION	EXISTING C GRADE	STATION	FINISHED ASPHALT GRADE	STATION
412.14	230	412.08	220	412.01	210
				411.90	204.4
				411.85	1+200
				411.73	190
				411.61	186.3
				411.48	180
				411.36	170
				411.31	160
				411.26	150
				411.21	140
				411.16	130
				411.11	120
				411.06	110
				410.96	1+100
				410.91	90
				410.86	80
					70
					60

LEGEND

--- SAN. or STM.	EXISTING SEWERS, SANITARY or STORM
--- MH, CB	MANHOLE and CATCHBASIN
--- W	FIRE HYDRANT
--- G	GASMAIN
--- T	UNDERGROUND TELEPHONE
--- H	UNDERGROUND HYDRO
--- TV	UNDERGROUND T.V. CABLE
--- U	UTILITY POLES
--- R	REMOVE EXISTING ASPHALT PAVT
--- P	PLACE HOT MIX ASPHALT (MACHINE LAD)
--- D	DROP CURB
--- C	REMOVE EXISTING CONC. CURB
--- T	TEST PITS (CMT ENGINEERING INC. PROJECT NO. 08-005)



NOTE

The locations of existing underground utilities are shown in an approximate way only and have not been independently verified by the owner or its representative. The contractor shall determine the exact location of all existing utilities before commencing work and agrees to be fully responsible for any damages which might be occasioned by the contractor's failure to exactly locate and preserve any and all underground utilities.

BENCHMARK INFORMATION

B.M. ELEVATION: 411.909 m
P.K. NAIL AND FLAG IN NORTH FACE OF HYDRO POLE, WEST OF WELLINGTON NORTH MACHINE.

Design By: EEC Checked By: FCV

No.	DATE	REVISION
1.	Jan. 22, 2025	Issued to Client for Review
2.	Jan. 31, 2025	Issued for Tender

Goderich Kincardine Mount Forest Sarnia



**Township of Wellington North
(Mount Forest)
INDUSTRIAL DRIVE
URBANIZATION
Plan and Profile From
Sta. 0+060 to Sta. 1+230**

Contract No. RFT 2025-005	Project No. 19271
Scale Horizontal : 1:250 Vertical : 1:50	Drawing No. 1 of 1